

# NanoZoomer<sup>®</sup> S20MD

## Slide scanner system

C16300-21MDEU

Compact and  
high-speed scanning  
for digital pathology



### High-speed Scanning

Approx. 30 Sec  
(20×/40× mode)  
\*When it scans an area of 15 mm × 15 mm square  
with 5 focus points.

### Compact

Small footprint on  
lab bench

### Selectable Scanning Modes

Fully and semi-  
Automatic scanning  
available

### Quality Check

Ensuring high image  
quality from each scan

### Rapid Throughput

20 slides approx. 15 min  
(20×/40× mode)  
\*When it scans an area of 15 mm × 15 mm square  
with 5 focus points.

### Flexible Slide Racks

Sakura 4768 20-slide basket  
Hamamatsu 20-slide basket

### High Quality Images

Same pixel pathway and  
color adjustment as  
NanoZoomer MD series

### Regulatory Compliant

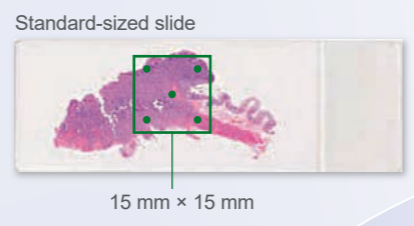
IVDR (EU)  
UKCA (UK)  
IVDO (CH)

# Compact, high-speed and smart scanner

## High-speed Scanning

Delivers a fast scanning speed of

Approx. **30** seconds  
(40x/20x mode)



## Rapid Throughput

New slide handling mechanics allows for rapid handling of slides for

**20** slides in **15** min

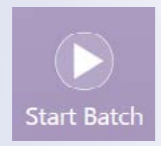


## Compact and Scalable

Our compact scanner fits on a lab bench and is a scalable solution, as you can add more scanners as digitization needs increase. Combine the NanoZoomer MD product portfolio to meet a wide range of scanning needs, from mega slides to high capacity scanning.

## Selectable Scanning Modes

### Fully-Automatic scanning



All scanning processes work automatically. As soon as you load, the scanning begins. The LED on the scanner indicates scan progress at a glance.

### Semi-Automatic scanning



Option to set-up scanning conditions such as the scan area or resolution and to assign profiles for each slide.



## Flexible Slide Rack

Load directly from Sakura 4768 20-slide basket and cover slipper for a lean scanner workflow process.

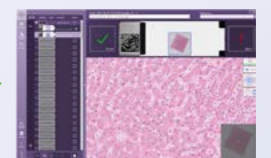
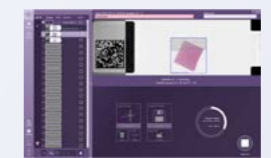


## High Quality Images

Our scanner produces high quality images using the 40x and 20x modes. The NanoZoomer MD range has the same pixel pathway and color reproducibility. This provides confidence and consistency in producing images for use in primary diagnostics and image analysis.

## Quality Check

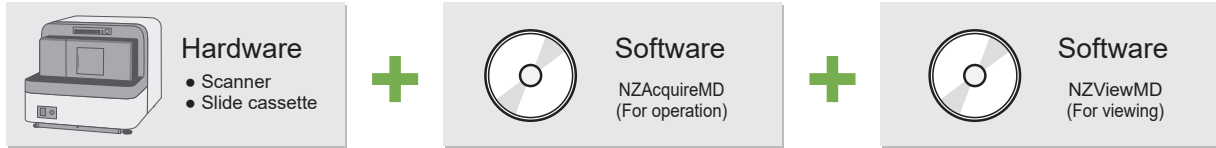
QC (Quality Check) mode is available to allow users to check image quality before finalizing Whole Slide Imaging.



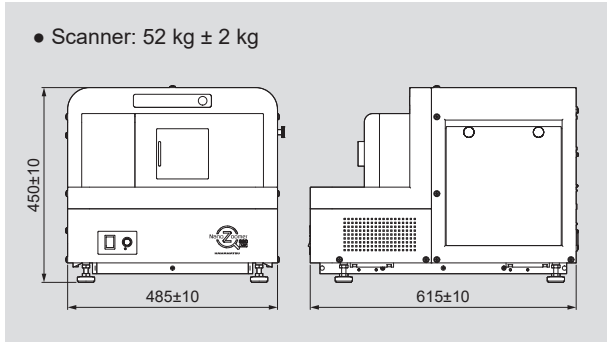
Scanning

Checking

## System configuration



## Dimensional outlines (Unit: mm)



## Option



- Adapter on SAKURA basket for S20  
**A16696-02**

## Specifications

Product name	NanoZoomer® S20MD Slide scanner system	
Product number	C16300-21MDEU	
Scanning speed * (20× mode / 40× mode)	Approx. 30 s	
Objective lens	20× N.A. 0.75 User can select 20× or 40× mode at start of scanning	
Compatible glass slides	25.0 mm to 26.0 mm × 75.0 mm to 76.0 mm (Thickness 0.9 mm to 1.2 mm)	
Slide loader	Up to 20 slides	
Scanning resolution	20× mode	Approx. 0.46 μm/pixel
	40× mode	Approx. 0.23 μm/pixel
Focusing method	Pre-Focus map	
Z-stack feature	Included	
Image compression	JPEG compression	
Readable barcodes	1D Barcodes	Code 39, Code 128, Interleaved 2 of 5, Codabar, EAN-8 and UPC-E
	2D Barcodes	DataMatrix (ECC200) QR code (QR Code Model-1) (QR Code Model-2)
Power supply	AC 100 V to AC 240 V	
Power consumption (Scanner only)	150 VA	

\* When it scans an area of 15 mm × 15 mm square with 5 focus points.

## Intended Use

NanoZoomer® S20MD Slide scanner system ("NanoZoomer® System") is an automated digital slide creation, viewing, and management system. The NanoZoomer® System is intended for in vitro diagnostic use as an aid to the pathologist to review and interpret digital images of surgical pathology slides prepared from formalin-fixed paraffin-embedded ("FFPE") tissue. The NanoZoomer® System is not intended for use with frozen section, cytology, or non-FFPE hematopathology specimens.

The NanoZoomer® System comprises the Scanner and the NZViewMD Software. The NanoZoomer® System is for creation and viewing of digital images of scanned glass slides that would otherwise be appropriate for manual visualization by conventional light microscopy. It is the responsibility of a qualified pathologist to employ appropriate procedures and safeguards to assure the validity of the interpretation of images obtained using NanoZoomer® System.

- NanoZoomer is a registered trademark of Hamamatsu Photonics K.K. (EU, Japan, UK, USA)
- The product and software package names noted in this brochure are trademarks or registered trademarks of their respective manufacturers.
- Subject to local technical requirements and regulations, availability of products included in this brochure may vary. Please consult with your local sales representative.
- The product described in this brochure is designed to meet the written specifications, when used strictly in accordance with all instructions.

© 2022 Hamamatsu Photonics K.K.

## HAMAMATSU PHOTONICS K.K. [www.hamamatsu.com](http://www.hamamatsu.com)

### Manufacturer

**HAMAMATSU PHOTONICS K.K., Systems Division  
Joko Factory**  
812 Joko-cho, Higashi-ku, Hamamatsu-City, Shizuoka-Pref.  
431-3196, Japan  
Telephone: (81)53-431-0124, Fax: (81)53-433-8031  
E-mail: [export@sys.hpk.co.jp](mailto:export@sys.hpk.co.jp)

### Authorised representative

**HAMAMATSU PHOTONICS DEUTSCHLAND GMBH**  
Arzbergerstr. 10, 82211 Herrsching am Ammersee, Germany  
E-mail: [pms-med@hamamatsu.eu](mailto:pms-med@hamamatsu.eu)

**HAMAMATSU PHOTONICS UK LIMITED**  
2 Howard Court, 10 Tewin Road, Welwyn Garden City,  
Hertfordshire, AL7 1BW, UK  
E-mail: [pms-med@hamamatsu.co.uk](mailto:pms-med@hamamatsu.co.uk)

**HAMAMATSU PHOTONICS FRANCE S.A.R.L. Swiss Office**  
Dornacherplatz 7, 4500 Solothurn, Switzerland  
E-mail: [swiss@hamamatsu.ch](mailto:swiss@hamamatsu.ch)

### Importers

**HAMAMATSU PHOTONICS DEUTSCHLAND GMBH**  
Arzbergerstr. 10, 82211 Herrsching am Ammersee, Germany  
Telephone: (49)8152-375-0, Fax: (49)8152-265-8  
E-mail: [info@hamamatsu.de](mailto:info@hamamatsu.de)

**HAMAMATSU PHOTONICS FRANCE S.A.R.L.**  
19 Rue du Saule Trapu, Parc du Moulin de Massy, 91882 Massy Cedex, France  
Telephone: (33)1 69 53 71 00, Fax: (33)1 69 53 71 10  
E-mail: [infos@hamamatsu.fr](mailto:infos@hamamatsu.fr)

**HAMAMATSU PHOTONICS NORDEN AB**  
Torshamnsgatan 35 16440 Kista, Sweden  
Telephone: (46)8-509 031 00, Fax: (46)8-509 031 01  
E-mail: [info@hamamatsu.se](mailto:info@hamamatsu.se)

**HAMAMATSU PHOTONICS ITALIA S.R.L.**  
Strada della Moia, 1 int. 6, 20044 Arese (Milano), Italy  
Telephone: (39)02-93 58 17 33, Fax: (39)02-93 58 17 41  
E-mail: [info@hamamatsu.it](mailto:info@hamamatsu.it)